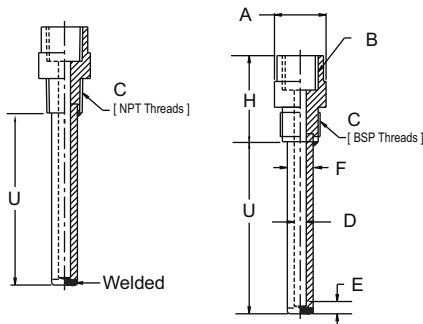



Special Features

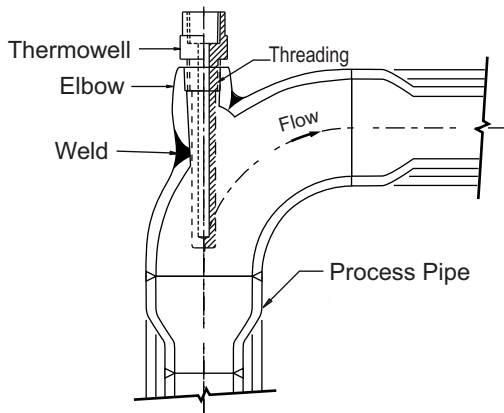
- These thermowells are fabricated from pipe with a welded end cap
- These thermowells are installed directly into the process with the help of threaded process connection
- Ideal for use in longer length tank & vessels where bar stock is a limitation

Applications

- HVAC Industries
- Utilities
- Chemical plants
- Pharmaceutical
- Engineering plants
- On shore
- Off shore & other similar process industries

Thermowell Drawings

S - Straight

- | | |
|--------------------------------------------------|-------------------------------------------------|
| A - Finished Head Size | D - Bore Diameter (As per Pipe Schedule) |
| B - Instrument Connection | E - Tip Thickness |
| C - Process Connection | U - Insertion Length |
| F - Major Diameter (As per Pipe Schedule) | H - Extension Length |

Typical Thermowell Installation


How To Order					Example
Basic Model					W4
Type					
S - Straight					X
Material					
LP AISI 304 SS	EO AISI 310 SS	LU Inconel 600	LZ Alloy 20	LS Hastelloy C	XX
LM AISI 316 SS	EP AISI 410 SS	ES Inconel 625	LX Nickel		
LN AISI 316L SS	LO AISI 316Ti SS	ET Incolloy 800	LQ Carbon Steel		
EN AISI 321 SS	ER AISI 304L SS	EU Incolloy 825	LV Titanium		
Note : Other Materials are available on request.					
Instrument Connection "B"					
3BF 3/8" BSP (F)	4BF 1/2" BSP (F)	5TF 3/4" BSPT (F)	6NF 1" NPT (F)	3MF M18 x 1.5 (F)	XXX
3NF 3/8" NPT (F)	4NF 1/2" NPT (F)	5NF 3/4" NPT (F)	6BF 1" BSP (F)	4MF M20 x 1.5 (F)	
3TF 3/8" BSPT (F)	4TF 1/2" BSPT (F)	5BF 3/4" BSP (F)	6TF 1" BSPT (F)	5MF M22 x 1.5 (F)	
3PF 3/8" G (F)	4FF 1/2" PF (F)	5PF 3/4" G (F)	6PF 1" G (F)	6MF M24 x 1.5 (F)	
	4PF 1/2" G (F)			7MF M27 x 2 (F)	
				9MF M33 x 2 (F)	
Note : Other Connections are available on request.					
Process Connection "C"					
4BM 1/2" BSP (M)	5BM 3/4" BSP (M)	6BM 1" BSP (M)	4MM M 20 x 1.5 (M)		XXX
4NM 1/2" NPT (M)	5NM 3/4" NPT (M)	6NM 1" NPT (M)	6MM M 24 x 1.5 (M)		
4TM 1/2" BSPT (M)	5TM 3/4" BSPT (M)	6TM 1" BSPT (M)	7MM M 27 x 2 (M)		
4QM 1/2" PT (M)	5QM 3/4" PT (M)	6QM 1" PT (M)	9MM M 33 x 2 (M)		
4FM 1/2" PF (M)	5FM 3/4" PF (M)	6FM 1" PF (M)			
4YM 1/2" R (M)	5YM 3/4" R (M)	6YM 1" R (M)			
4PM 1/2" G (M)	5PM 3/4" G (M)	6PM 1" G (M)			
Note : Other Connections are available on request.					
Finished Head Size "A" (Refer Table 1.1 for selection of Head Size for Thermowell.)					
Please Specify in mm					
e.g. : For 28 mm Finished head Size, specify A28					XXX
Type Of Head					
K	Hex Headed*	M	Round Headed With Spanner Slots.		X
* Maximum "U" Length below thread will be 250 mm.					
Extension / Lagging Length "H"					
H50 (Standard)					
For e.g. : for length 75 mm, mention H75					XXX

How To Order				Example
Major Diameter "F"				
Pipe Size & Schedule				
A 1/4" Sch 40	C 3/8" Sch 40	E 1/2" Sch 40	H 3/4" Sch 40	X
B 1/4" Sch 80	D 3/8" Sch 80	F 1/2" Sch 80	I 3/4" Sch 80	
Other Pipe Sizes & Schedules are available on request.			J 3/4" Sch 160	
Tip Thickness "E"				
Standard Tip Thickness is 5 mm.				XX
e.g. : Specify E5 for 5 mm Tip Thickness				
Insertion Length "U"				
Please specify in mm				XXXX
e.g. : for 250 mm, mention U250				
Options				
GG Plug and chain in SS	SX SS Tag Plate	CX Marking by Engraving		XX
FW Electro polishing	CW Marking by Laser			
Tests & Certification				
T1 Chemical Composition Test	T4 Dye Penetration Test	H1 Hydro Test		
T2 3.1B Material Conformity Certificate	C5 PMI Test			
Ordering Example : W4 . X . XX . XXX . XXX . XXX . X . XXX . X . XX . XXXX . XX				

Note : Specifications and dimensions given in this product catalogue represents the state of engineering at the time of printing. Modifications may take place and materials specified may be replaced by others without prior notice.